



MTT Series Melt Temperature Sensor



Features

- Temperature Measurement Ranging from 0-600°C
- Thermocouple or RTD of Different Graduations Available
- Temperature Measuring Probe of Different Shapes Available

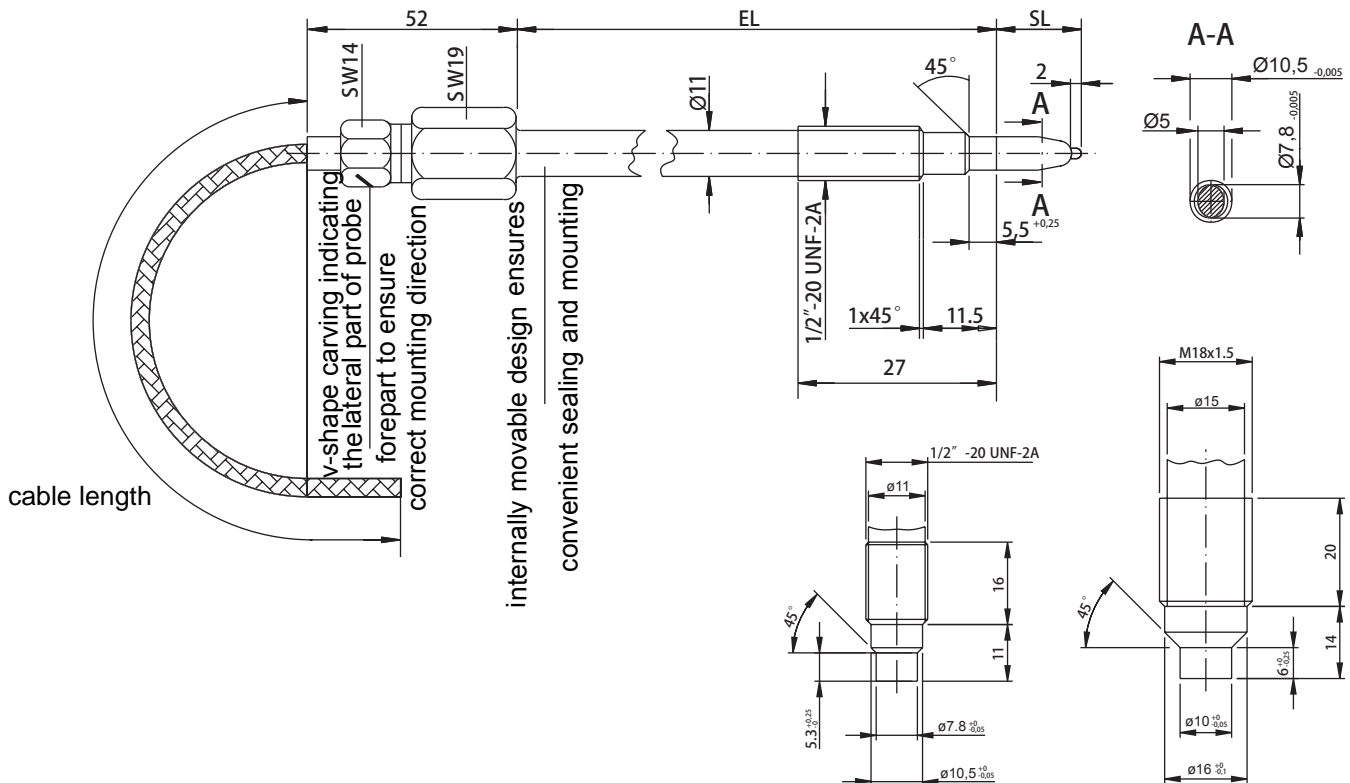
Applications

petrochemicals
textile&chemical fiber
plastics&rubber

Description

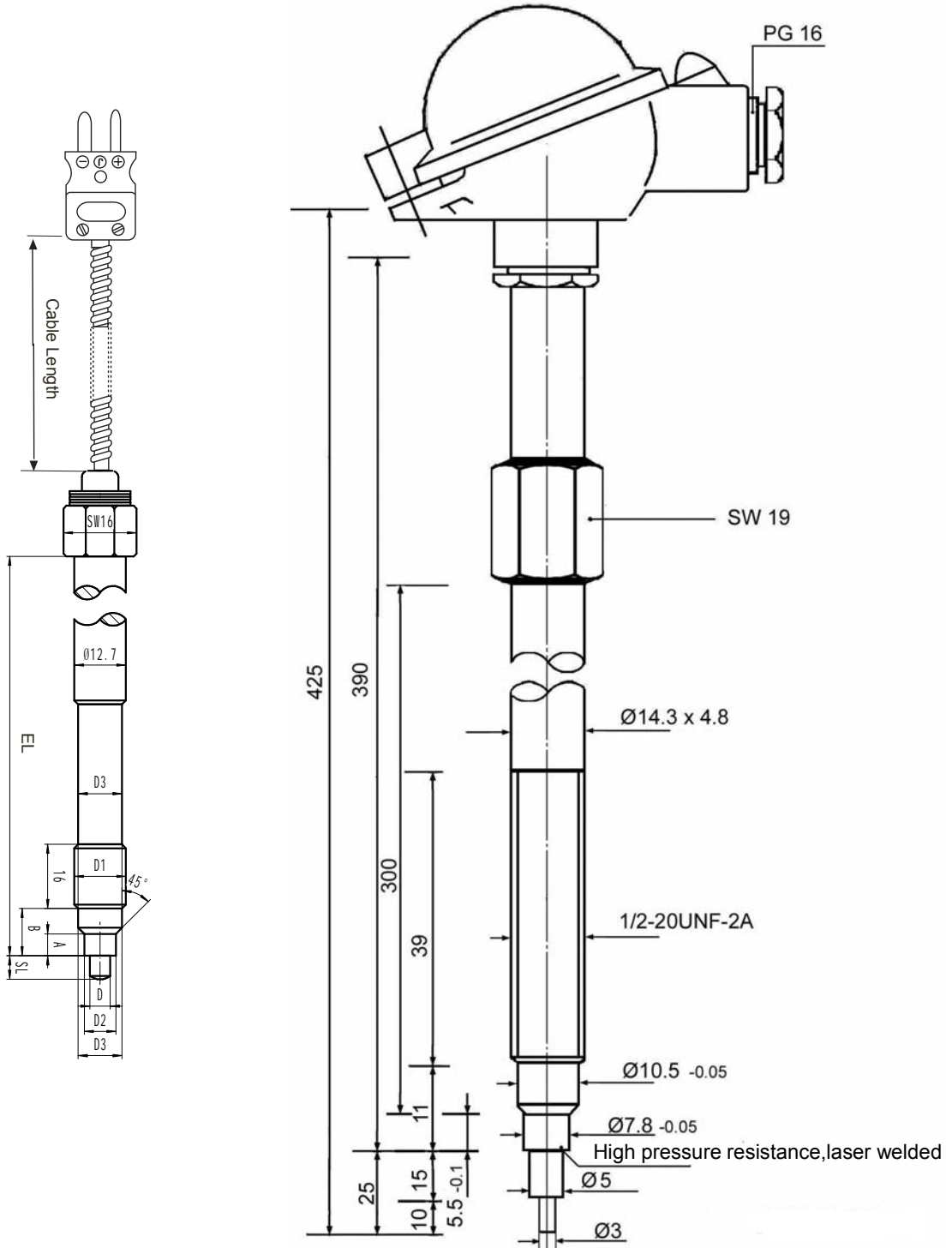
MTT28H series high temperature melt temperature sensor is widely used to measure temperature of melts, fluids, gas, etc in the industries like petrochemicals, textile, chemical fiber, rubber, plastics, etc. It has various shapes of temperature measuring probe, by which it could not only reduce flowing resistance of medium, but also ensures high measuring accuracy by putting the probe totally in the measured medium. This model is characterized by short response time, high reliability and long service life.

External Dimension





External Dimension



Dimension Unit: mm

D1	D2	D3	A	B
1/2-20UNF	Φ7.8	Φ10.5	5.5	11.5
M14×1.5	Φ7.8	Φ11.5	5.5	11.5



Ordering Guide

Series Code		MTT	X	X	X	X	X	X	X	X	X	X	X	
Temperature Type	K type		K											
	J type		J											
	E type		E											
	three wire Pt100		RTD1											
	four wire Pt100		RTD7											
	dual three wire Pt100		RTD10											
Process Connection	1/2-20UNF			1/2										
	M14×1.5			M14										
Rigid Stem Length	6 inches (152mm)													
	9 inches (229mm)													
	12.5 inches (318mm)													
Flexible Length	18 inches (460mm)												/18	
	24 inches (610mm)												/24	
	30 inches (762mm)												/30	
Cable Housing	none												FN	
	metallic bellows hose												FY	
Shape of Temp Measuring Component	conical type												C	
	round type diameter Xmm												Rx	
	blade type												L	
	flat type												F	
Immersion Length	Xmm												Lx	
E-Connection	lead type													W
	2-pin thermocouple plugboard or 3-pin RTD plugboard													P
	explosion-proof junction box													J
	7-pin RTD aviation plugboard													T
Signal Output	none													blank
	4~20mA													MA